



QWIK-PURE® CS

intelligent, flexible, and affordable condensate separation

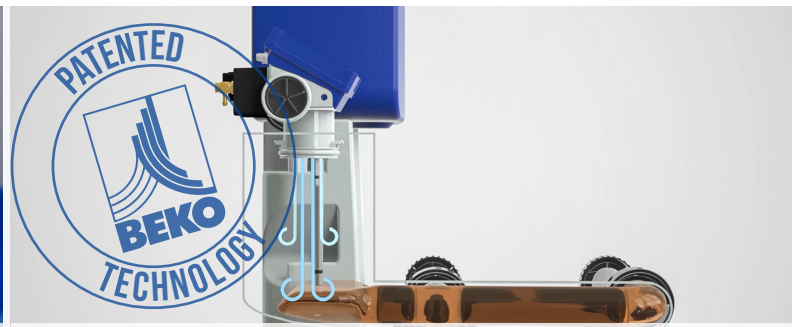


QWIK-PURE® CS Oil-water Separators



Intelligent Operation

Flow-regulated control of the unit at all times using capacitive sensor technology, complete visibility of the operational status, and data recording with an IIoT-ready controller.



Patented Functionality

The revolutionary principle of using very low pressure compressed air to push condensate through the cartridge in concert with the controls is exclusive technology.



Environmentally Safe

QWIK-PURE cartridges are hermetically sealed and are safe for sanitary landfills because the oil is securely trapped in the adsorption material, and sealed.



Quick and Easy Service

Patented quick disconnect cartridges combined with a lightweight filling material make installation and service simple, flexible, and clean.



Modular Expansion

A future-proof solution for any application that effortlessly expands and can accommodate up to 3,300 scfm in a compact space.

How it Works

The condensate enters through the inlet from the rotatable multiple inlet connection [1] into the unit.

The condensate and air mixture is depressurized in the depressurization chamber [2].

The FRC control unit [3] monitors the status as the condensate flows into the manifold [4] and distribution piping using gravity, then into the cartridges [5], where treated condensate flows through the baseplate [6] and up the discharge tube [7] to the outlet.

When the capacitive sensor of the FRC measures a level-high setpoint in the reservoir, the FRC will close the piston valve [8] to isolate the entire system from the ambient surroundings.

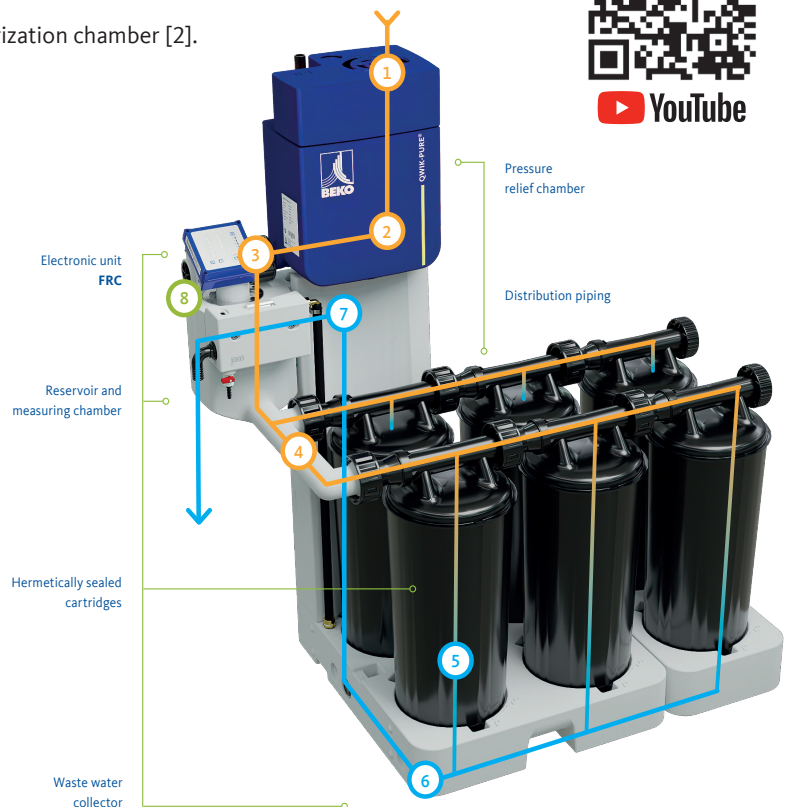
Assisted by the FRC, using very low-pressure compressed air of < 5 psig, condensate is pushed through the filters to the outlet until the level low setpoint is reached.

Condensate is held in the collection reservoir beneath the FRC control unit until discharged.

Click or scan to watch on



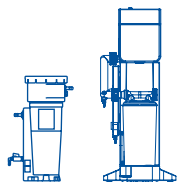
YouTube



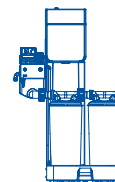
QWIK-PURE® CS Oil-water Separators

Disposing of air compressor lubricant carryover in condensate is a concern, as is the variety of regulations nationwide. Installation of an oil-water separator is simple. The oily condensate from each drain valve is individually piped to a depressurization chamber to reduce pressure to atmospheric pressure. The clean water is then piped into a waste water drain. The separated oil is contained within the cartridge for proper disposal.

Compare



QWIK-PURE® CS Line
Low Volume, Direct to Filter Series



QWIK-PURE® iCS Line
Intelligent, Direct to Cartridge Series

Flow Rates

Three model sizes for 0 - 400 scfm

Four model sizes for 401 - 3,300 scfm

Suitable Lubricant Types

All - including Polyglycol lubricants

All - including Polyglycol lubricants

Separation Type

Gravity fed, direct to filter

Intelligent, sensor operated, direct to cartridge

Cartridge Based System

CS 100 and 200: No, CS 400: Yes

Yes

Intelligent Controls

No

Yes - IIoT ready with Wi-Fi, advanced Modbus, integrated alarms, and cartridge life cycle status indicator

Available Options

Expansion kits, High pressure relief chamber, Spill protection basin, Cover3More extended warranty

Expansion kits, High pressure relief chamber, Spill protection basin, Cover3More extended warranty

Product Family



QWIK-PURE® CS 100



QWIK-PURE® CS 400

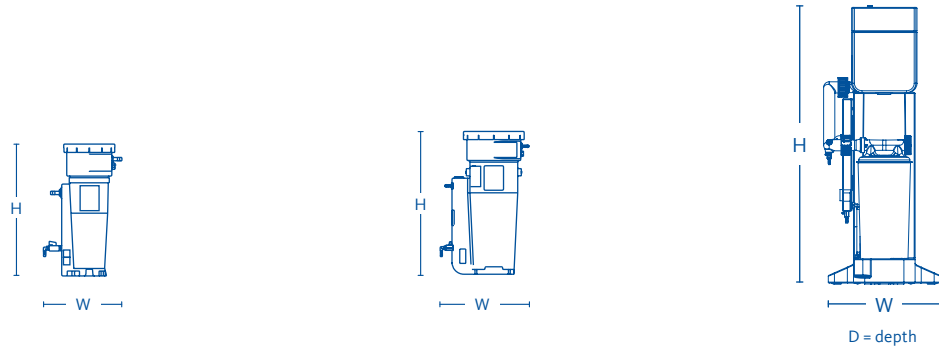


QWIK-PURE® iCS 2200

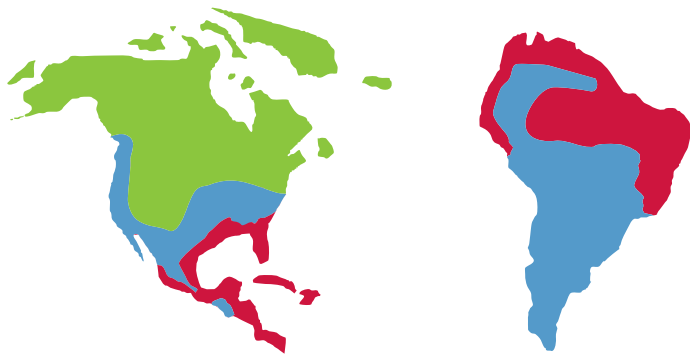


QWIK-PURE® CS High-Efficiency Oil-Water Separators with direct to cartridge filtration

- › Improved filling material that increases performance
- › Works well with all lubricant types
- › Lightweight easy to change cartridge
- › Min. / max. ambient temperature: 41 °F / 122 °F
- › Max. condensate temperature: 122 °F
- › Max. operating pressure: 232 psig



QWIK-PURE® CS	100	200	400
Max. Total Installed System Flow Rate (scfm)	100	200	400
Compatible Lubricants	All lubricant types		
Condensate Inlet	2 x ½"	2 x ½"	3 x ½" 1 x 1"
Number of Cartridges	1	1	1
Voltage (VAC)	-	-	-
Dimensions and Weight			
H x W x D (inches)	21 x 8	23 x 15	58 x 25 x 21
Weight (lbs)	7.7	12.7	29.8



CLIMATE ZONE	YEARLY AVERAGE	CORRECTION FACTOR
Cool / Mild	66% RH 45°F	1.00
Medium / Arid	68% RH 55°F	.90
Hot / Tropical	72% RH 75°F	.80

FILTER CARTRIDGE LIFE CYCLE*	
1 Shift Operation	9-12 months
2 Shift Operation	7-10 months
3 Shift Operation	5-8 months

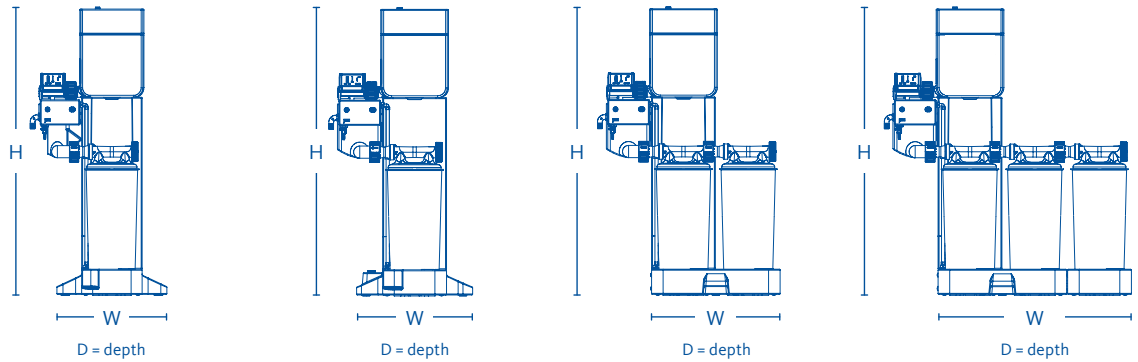
*Ranges are approximate

To use the sizing chart, locate the region for your application on the climate zone map above, multiply the Total Installed System Flow Rate value from the table by the climate zone correction factor shown (e.g., QWIK-PURE® iCS 550 is rated for 550 scfm in the green zone, but in the blue zone, the result would be 550 x 0.90 = 495 scfm), then match the result to the total flow rate of all installed compressors in the application. All QWIK-PURE® models work with all lubricant types, so you will instantly know your application's correct QWIK-PURE® model size.

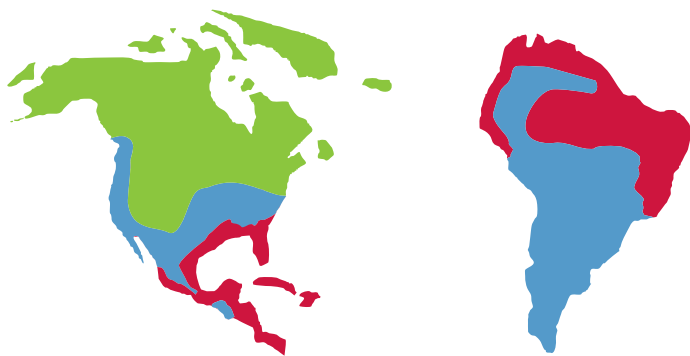
Capacity tests and our long-term experience have enabled us to make locational adjustments to our capacity figures by taking global climate data into account. Regions in the southern United States (i.e San Antonio, TX) are subject to higher temperature and humidity levels throughout the year, which can yield different condensate treatment requirements. Therefore, if you feel that your regional location may have a significant impact on the application or installation, please consult your BEKO Technologies representative for details.

QWIK-PURE® iCS High-Efficiency Oil-Water Separators with intelligent operation and direct to cartridge filtration

- › Patented, intelligent operation
- › Improved filling material increases performance
- › Works well with all lubricant types
- › Lightweight easy to change cartridge
- › Min. / max. ambient temperature: 41 °F / 122 °F
- › Max. condensate temperature: 122 °F
- › Max. operating pressure: 232 psig



QWIK-PURE® iCS	550	1100	2200	3300
Max. Total Installed System Flow Rate (scfm)	550	1100	2200	3300
Compatible Lubricants	All lubricant types			
Condensate Inlet	3 x ½" 1 x 1"	3 x ½" 1 x 1"	3 x ½" 1 x 1"	3 x ½" 1 x 1"
Number of Cartridges	1	2	4	6
Voltage (VAC)	90-264 V / 50-60 Hz	90-264 V / 50-60 Hz	90-264 V / 50-60 Hz	90-264 V / 50-60 Hz
Dimensions and Weight				
H x W x D (inches)	58 x 29 x 21	58 x 29 x 31	58 x 37 x 31	58 x 50 x 31
Weight (lbs)	35.3	77.2	99.2	132.3



CLIMATE ZONE	YEARLY AVERAGE	CORRECTION FACTOR
Cool / Mild ■	66% RH 45°F	1.00
Medium / Arid ■	68% RH 55°F	.90
Hot / Tropical ■	72% RH 75°F	.80

FILTER CARTRIDGE LIFE CYCLE*	
1 Shift Operation	9-12 months
2 Shift Operation	7-10 months
3 Shift Operation	5-8 months

*Ranges are approximate

To use the sizing chart, locate the region for your application on the climate zone map above, multiply the Total Installed System Flow Rate value from the table by the climate zone correction factor shown (e.g., QWIK-PURE® iCS 550 is rated for 550 scfm in the green zone, but in the blue zone, the result would be 550 x 0.90 = 495 scfm), then match the result to the total flow rate of all installed compressors in the application. All QWIK-PURE® models work with all lubricant types, so you will instantly know your application's correct QWIK-PURE® model size.

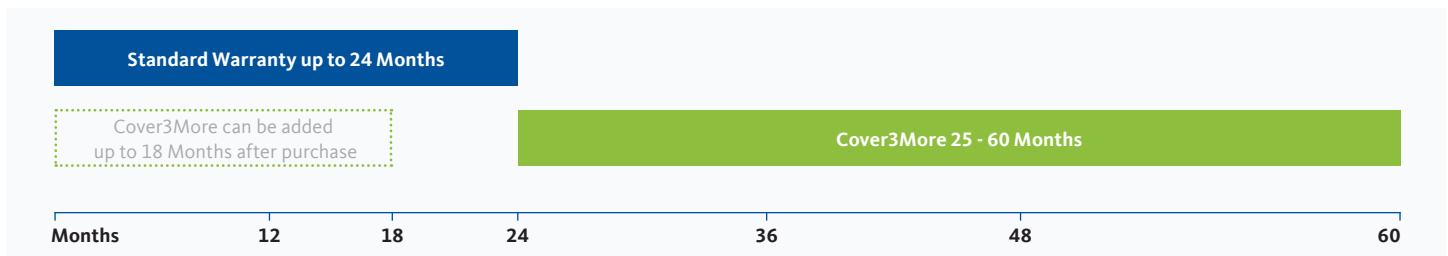
Capacity tests and our long-term experience have enabled us to make locational adjustments to our capacity figures by taking global climate data into account. Regions in the southern United States (i.e San Antonio, TX) are subject to higher temperature and humidity levels throughout the year, which can yield different condensate treatment requirements. Therefore, if you feel that your regional location may have a significant impact on the application or installation, please consult your BEKO Technologies representative for details.



ask your
sales representative
for complete details
and extend your full
warranty today



At a Glance



Cover3More is available on all our product lines			
DRYPOINT® RA	Refrigerant Air Dryers	BEKOMAT®	Zero Air Loss Drains
DRYPOINT® X / AC	Desiccant Air Dryers	QWIK-PURE®/ÖWAMAT®	Oil-water Separators
DRYPOINT® M	Membrane Air Dryers	METPOINT®	Instrumentation
CLEARPOINT®	Filters and Water Separators	BEKOKAT®	Hydrocarbon Removal Systems

How it Works

1. Select the product or products that you wish to cover with the extended warranty.
2. Simply add 8% to the net price of each product or call your sales representative if you need help calculating your final net price.
3. Include this information as a line item with your purchase order or purchase the warranty extension up to 18-months post-sale.

What we need from you: It's not much. In fact, if you are purchasing the Cover3More extended warranty with a new equipment purchase, all you have to do is include a line item on your order indicating which items you wish you cover, and we will take care of the rest. If you happen to be adding coverage to a product you've already taken delivery of, then all we need is the company name and contact information of the original purchaser, the product model number of the product to be covered, serial number, and original purchase order number or BEKO Technologies invoice number, and we will apply coverage appropriately. **Please feel free to contact us at +1 (800) 235-6797 to get started.**

All maintenance procedures, including filter element changes, must be carried out in accordance with the manual in order to maintain any warranty.

■ Compare

We give you more: In addition to a robust, standard 2-year warranty on BEKO Technologies products, we offer our customers the option of extending the standard warranty even further with the **Cover3More** program – a low cost, all-encompassing, and simple warranty extension program.

- › Extends the standard factory warranty for an additional 3-years
- › May be purchased at any time up to 18-months post-sale
- › No hassle and easy to calculate without any hidden costs

Secure your future with a minimal investment. The **Cover3More** extended warranty program from BEKO Technologies ensures that your investment is covered for a total of 5-years at a nominal cost.

- › 2-year standard warranty covers parts and labor
- › 3-year extended warranty covers parts only, no parts restrictions
- › Significantly reduces your risk of having unexpected costs

Reliability you can count on: With the Cover3More extended warranty program, BEKO Technologies not only lengthens the standard warranty period by 3-years from the installation date, but also draws on the company's vast compressed air industry experience to quickly resolve any product problems you may experience in the least disruptive way possible, thereby keeping downtime to an absolute minimum. Should a repair be required, it will be handled by qualified, authorized personnel, and only original parts will be used.

What's in the fine print: The optional 36-month warranty extension (i.e. Cover3More) is a limited extended warranty that covers parts only from months 25-60.

However, all of the aforementioned installation, performance, and quality requirements must still be met in order to maintain extended warranty coverage. Failure to do so will render all warranties null and void.

The limited extended warranty coverage may be purchased and applied to any of the BEKO Technologies product lines included in the scope of the Cover3More extended warranty program from the original date of purchase from BEKO Technologies to 18-months thereafter.

Extended warranty coverage may not be purchased during the final 6-months of the standard warranty coverage, which are months 19-24 from the date of shipment or at BEKO Technologies' discretion, the date of installation.

The purchase price of the Cover3More limited extended warranty is not prorated and the current published purchase price is always applied.

Should the extended warranty coverage be purchased post-delivery or post-sale, then the serial number of all products to which the warranty shall be extended must be provided to BEKO Technologies at the time of purchase of the extended warranty.

Reliable | Efficient | Innovative

What can we do for you?



BEKO TECHNOLOGIES CORP.
900 Great Southwest Pkwy SW
Atlanta, GA 30336
USA
Phone +1 (404) 924-6900
www.bekousa.com

